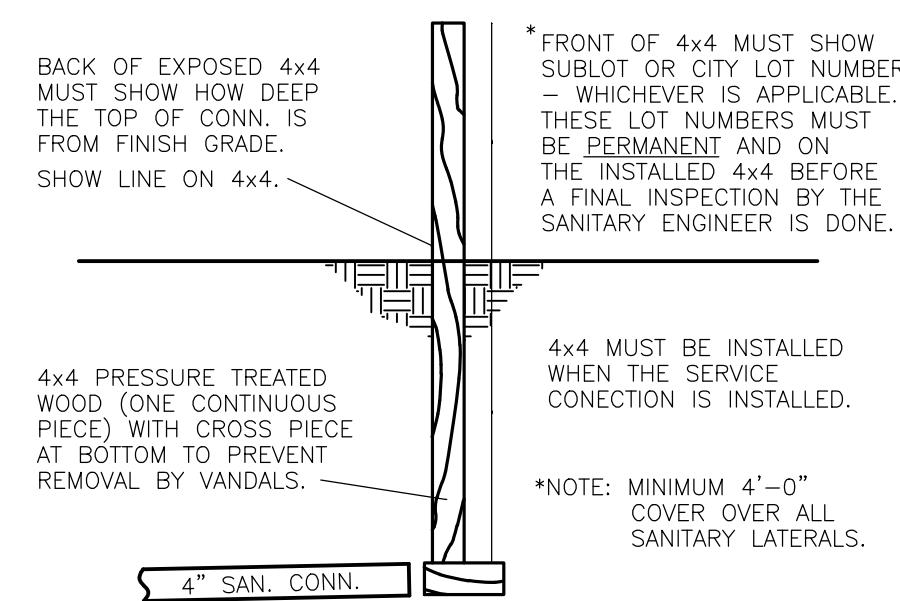
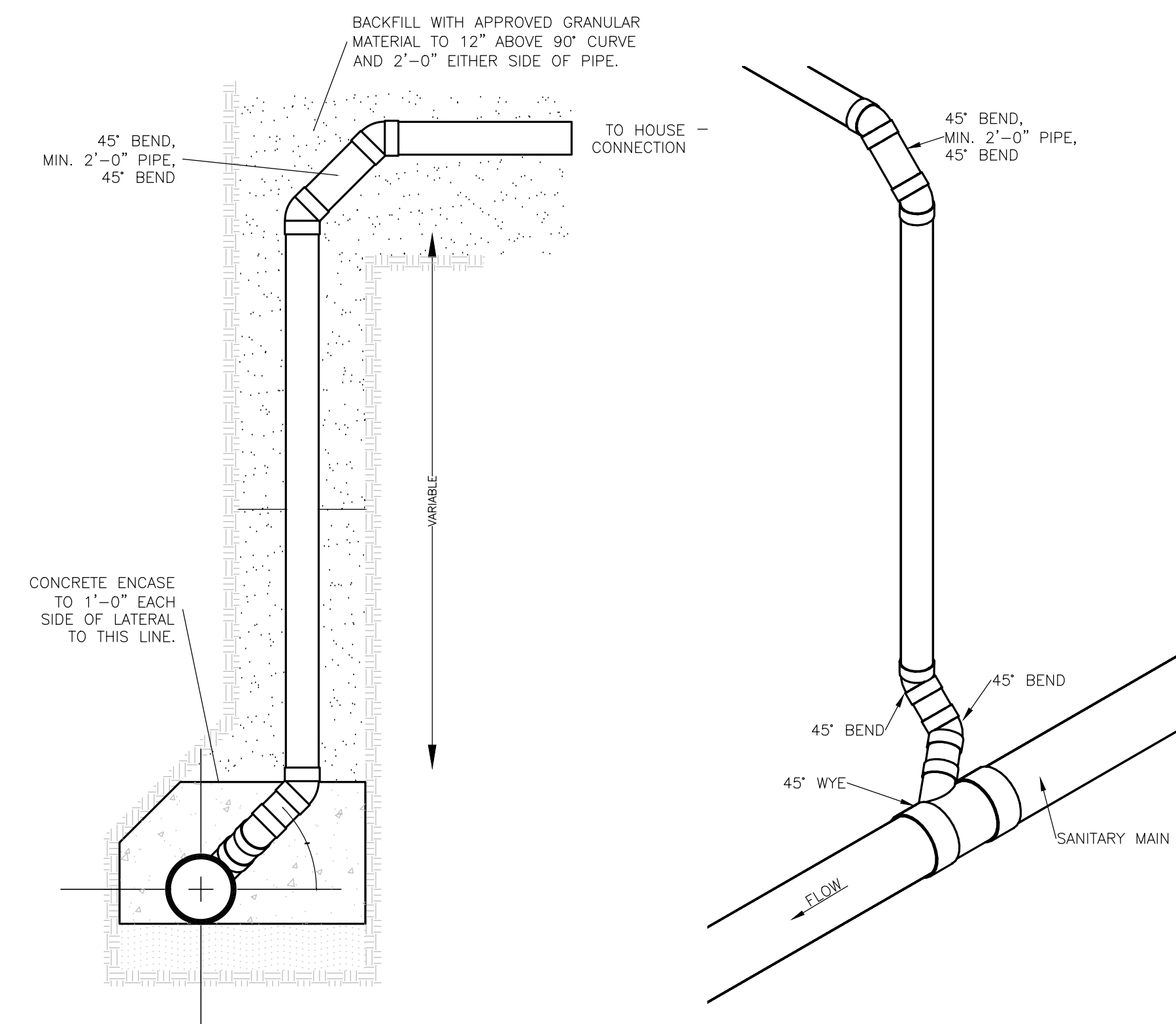


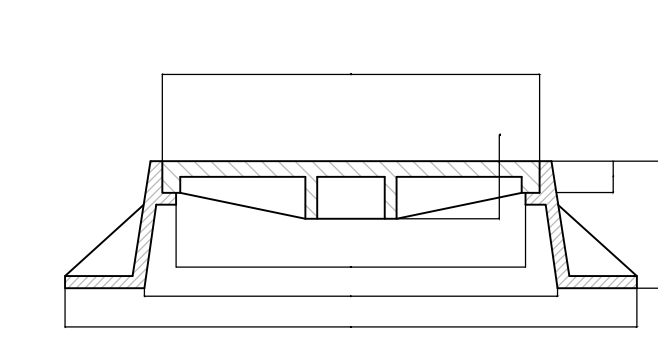
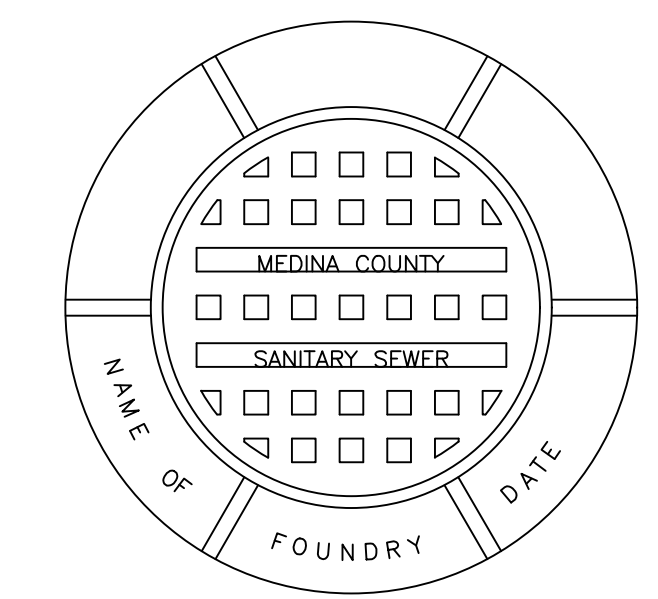
SECTION "A"- "A"



TYP. SEWER CONNECTION MARKER DETAIL
(TO BE PLACED AT THE END OF EVERY SANITARY LATERAL)



ALTERNATE RISER DETAIL



MANHOLE COVER & FRAME

BOLT DOWN MANHOLE LIDS ARE REQUIRED ON ALL SANITARY MANHOLES LOCATED IN EASEMENTS. THE CASTING SHALL BE NEENAH FOUNDRY R-1782 WITH N-1780-0007 TWO (2) BOLT COVER, OR EAST JORDAN IRON WORKS FRAME NO. 1710 TWO (2) BOLT (ALL BOLTS TO BE STAINLESS STEEL).

MANHOLE FRAME SHALL BE NEENAH FOUNDRY R-1782 WITH N-1780-0007 COVER, OR EAST JORDAN IRON WORKS FRAME 1710 WITH TYPE "A" COVER.

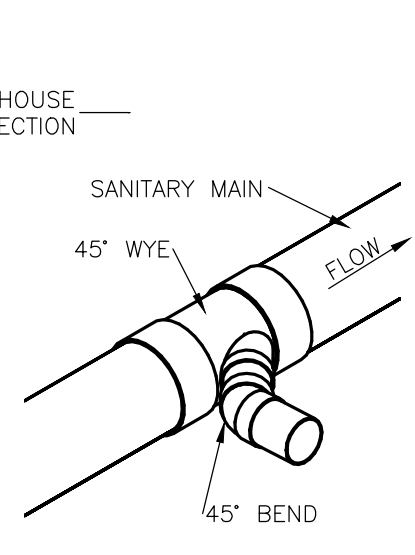
1/2" FELT BETWEEN 4"x 4" BOX OUT & PAVEMENT "USE ODOT SPEC. BP-2 FOR REINFORCING" CONCRETE FOR BOX OUT SHALL BE THE SAME AS PAVEMENT

WATERTIGHT MANHOLE FRAME & COVER SHALL BE NEENAH R-1916-D OR EAST JORDAN 1120 PFT WITH FOUR STAINLESS STEEL BOLTS.

STANDARD SANITARY MANHOLE

ALTERNATE MANHOLE BASE

WYE DETAIL

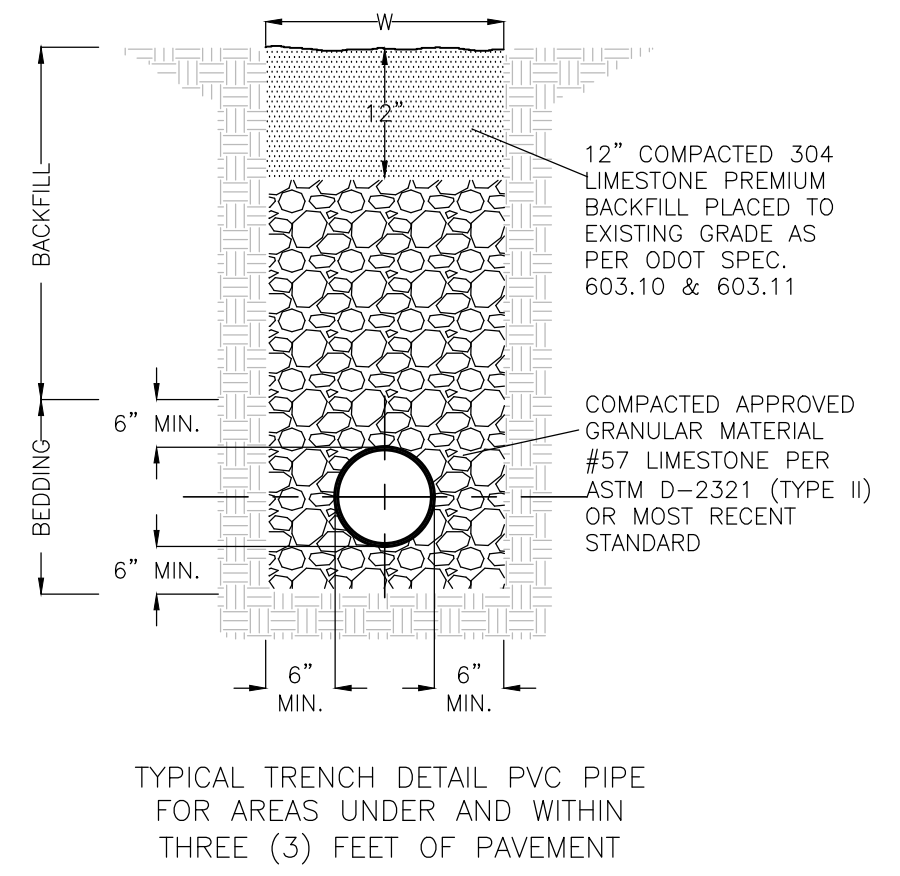
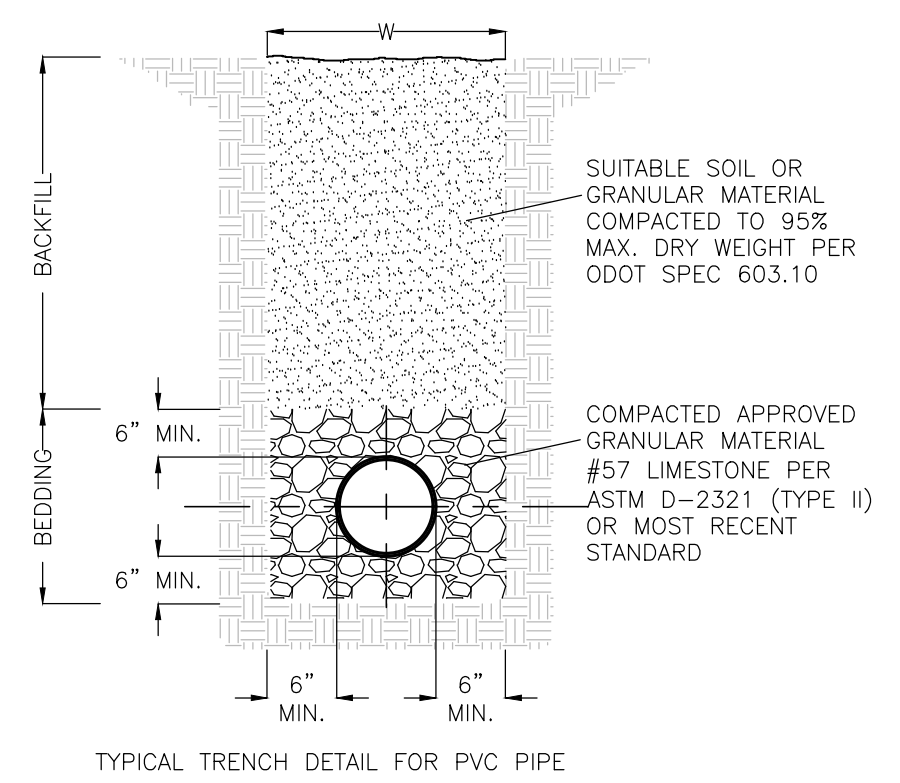


PIPE SIZE	INSIDE DIA. OF MANHOLE	TYPE OF MANHOLE
8"-30"	48"	PRECAST
36"-48"	60"	PRECAST
54"-60"	72"	PRECAST
72"-84"	96"	PRECAST

PIPE SIZE	DROP PIPE SIZE
8"-10"	6"
12"-15"	8"
18"-21"	10"
24"	12"
27"	15"
30"	18"
36"	24"

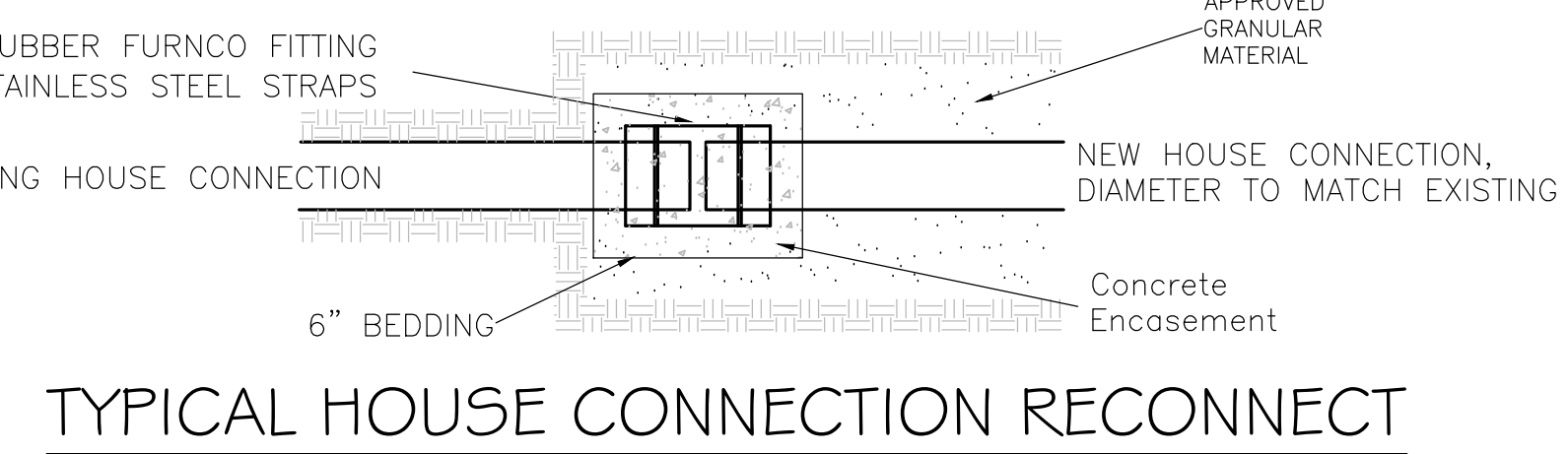
MANHOLE DIAMETER

DROP PIPE DIAMETER

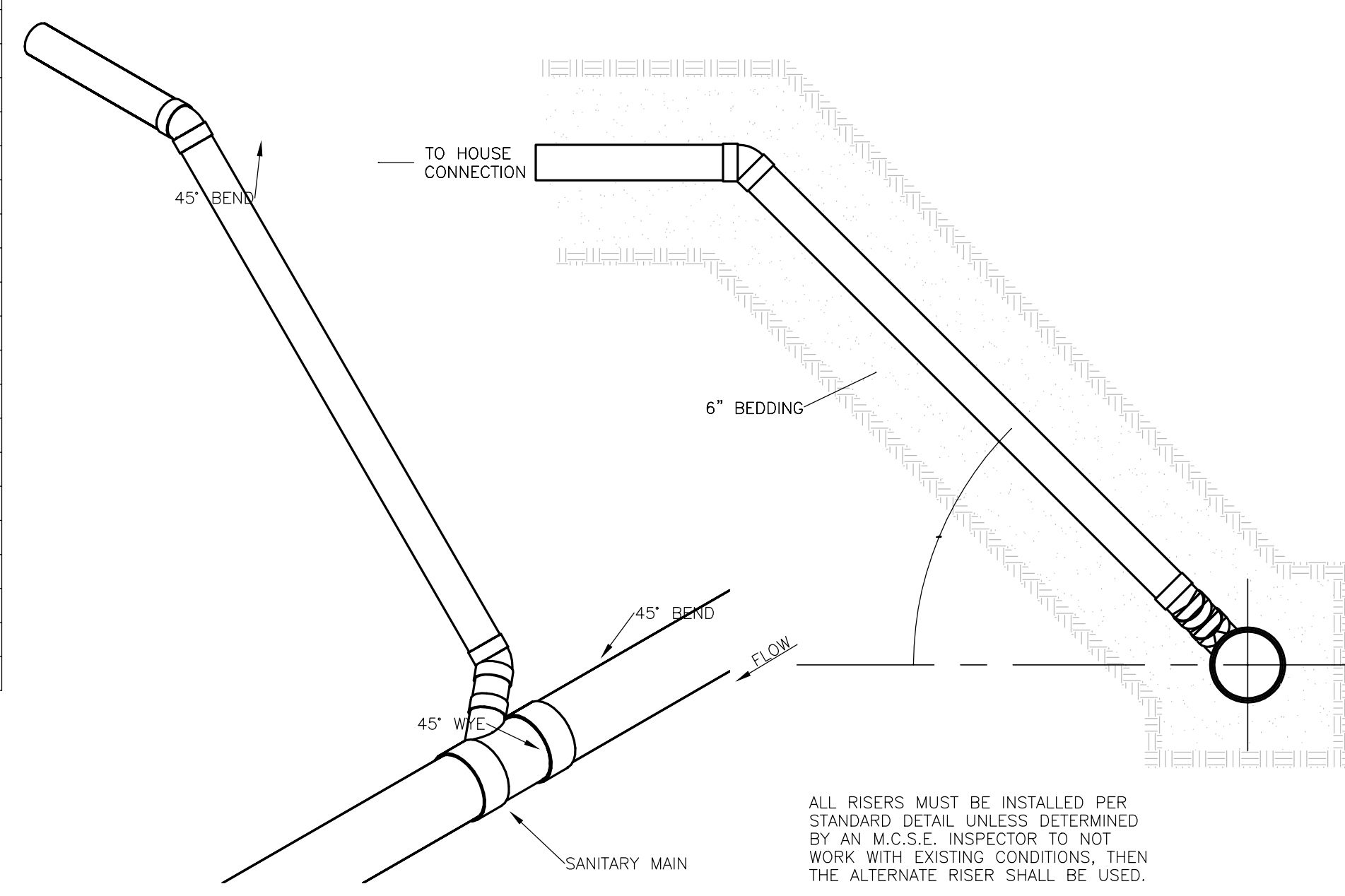


TYPICAL TRENCH SECTION

PIPE SIZE	MAX. TRENCH D	MAX. TRENCH WIDTH W
8"-15"	3'-0"	
18"	3'-6"	
21"	3'-6"	
24"	4'-0"	
27"	4'-0"	
30"	4'-6"	
36"	5'-0"	
42"	5'-6"	
48"	6'-0"	
54"	7'-0"	
60"	7'-6"	
66"	8'-0"	
72"	8'-6"	
84"	9'-6"	
90"	10'-0"	
96"	10'-6"	
102"	11'-0"	
108"	12'-0"	
114"	12'-6"	
120"	13'-0"	

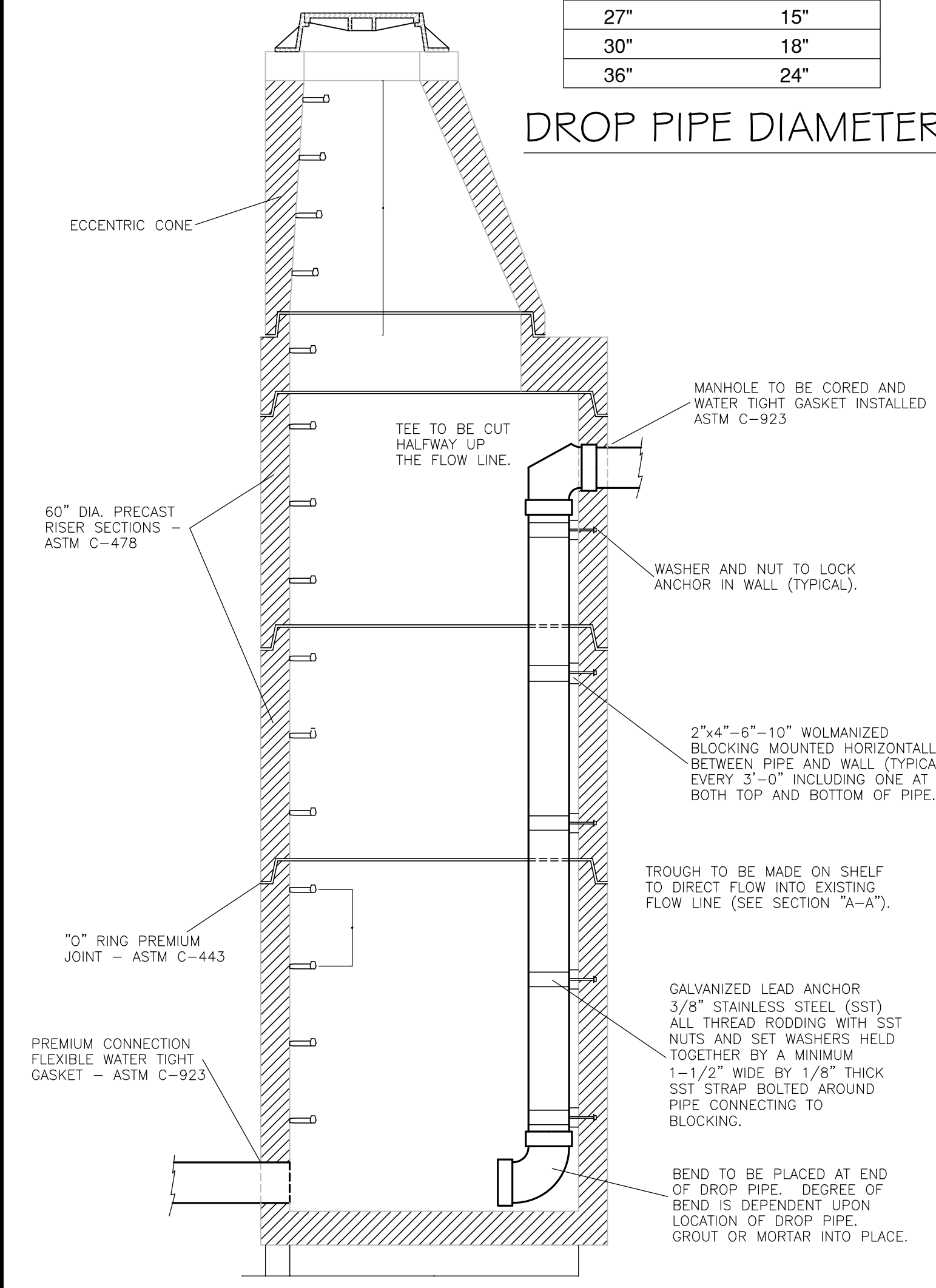


TYPICAL HOUSE CONNECTION RECONNECT

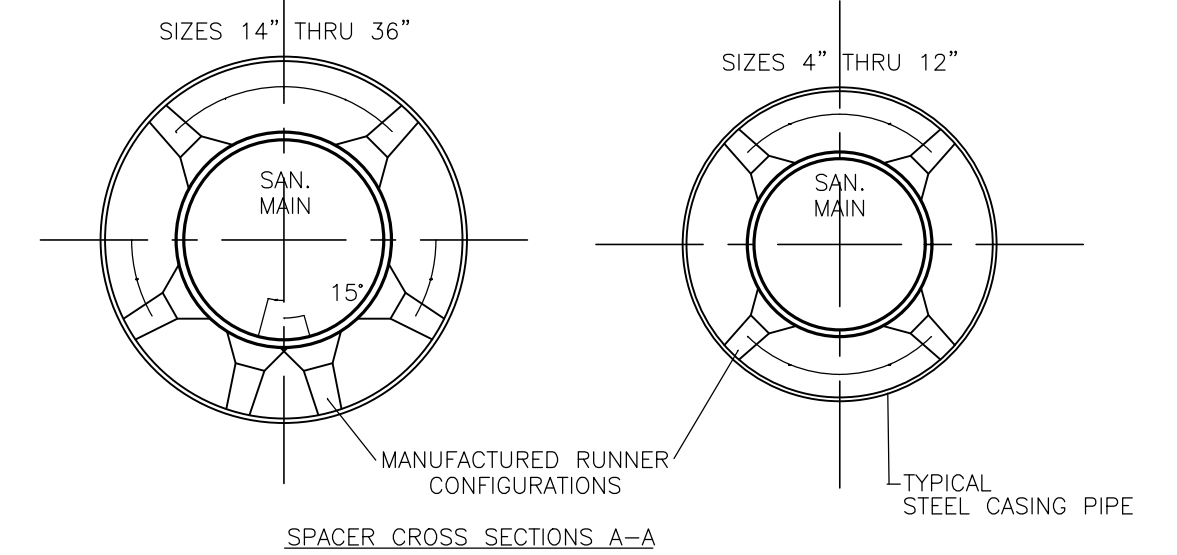


STANDARD RISER DETAIL

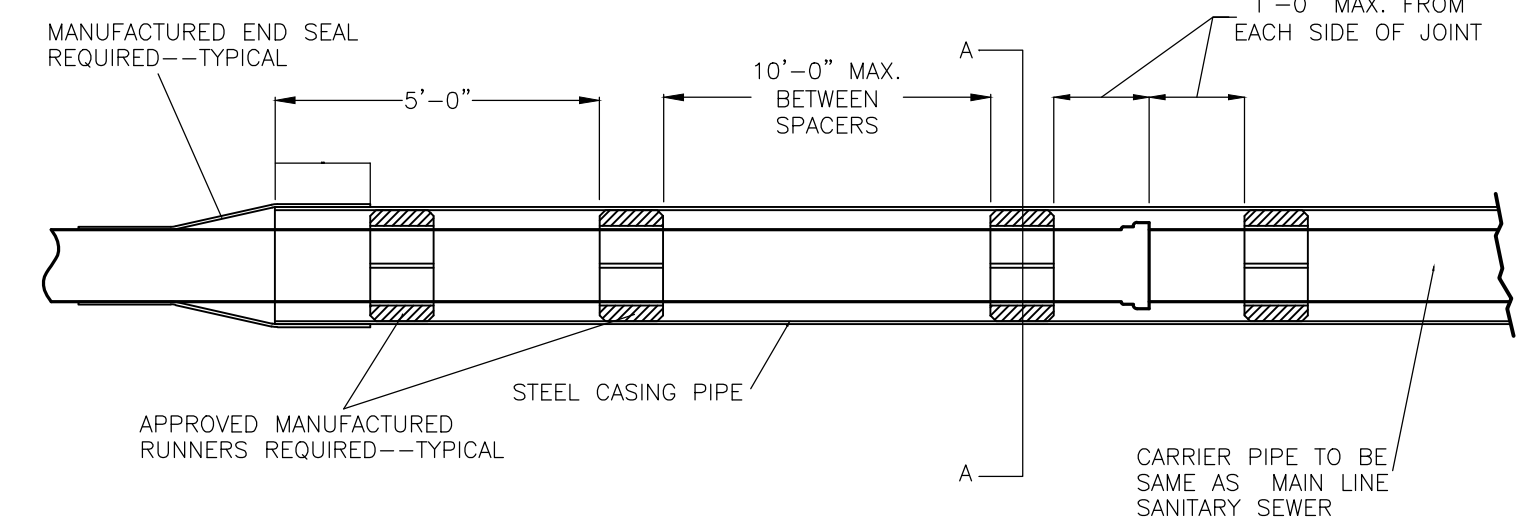
ALL RISERS MUST BE INSTALLED PER STANDARD DETAIL UNLESS DETERMINED BY AN M.C.S.E. INSPECTOR TO NOT WORK WITH EXISTING CONDITIONS, THEN THE ALTERNATE RISER SHALL BE USED.



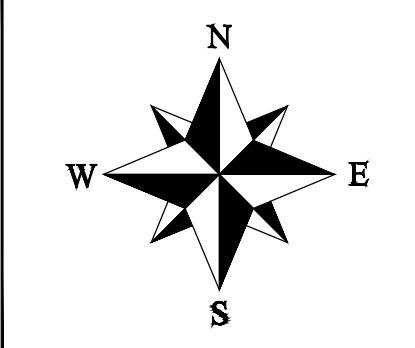
INSIDE DROP MANHOLE



SPACER CROSS SECTIONS A-A

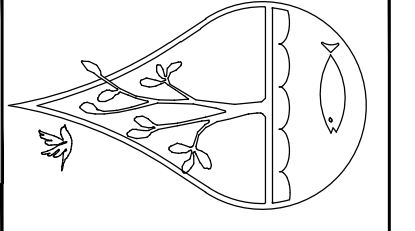


CASING DETAIL



COUNTY: MEDINA	TOWNSHIP: VARIOUS	DATE: October 2014	DESCRIPTION
3/25/2014	Updated minimum pipe length between bends	US	
6/2/2014	Removed Std. 48" Manhole Grating Detail	JS	
6/2/2014	Removed Std. 60" Manhole Landing Detail	JB	
10/23/2014	Updated trench bedding material standards	JB	
3/1/2016	Updated Standard Sanitary Manhole Detail & Diameter	EJ	
9/26/2017	Updated Casing Detail	BR	
		DATE	BY:

- SANITARY SEWER STANDARDS -



PLAN PREPARED BY -
MEDINA COUNTY
SANITARY ENGINEER
 AMY S. LYON-GALVIN, P.E.
 701 WEST SMITH RD.
 MEDINA CITY, OHIO 44266
 (330)725-9565 / (330)225-3113

PROJECT NUMBER	000/00-00.0
SHEET NUMBER	/